

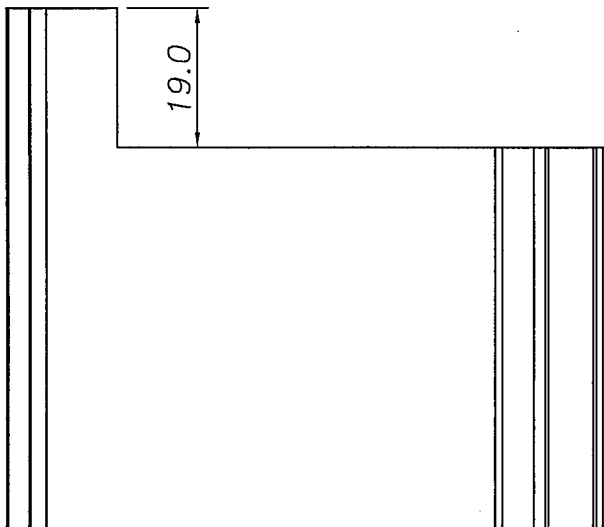
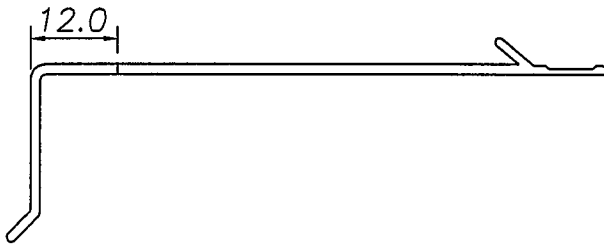
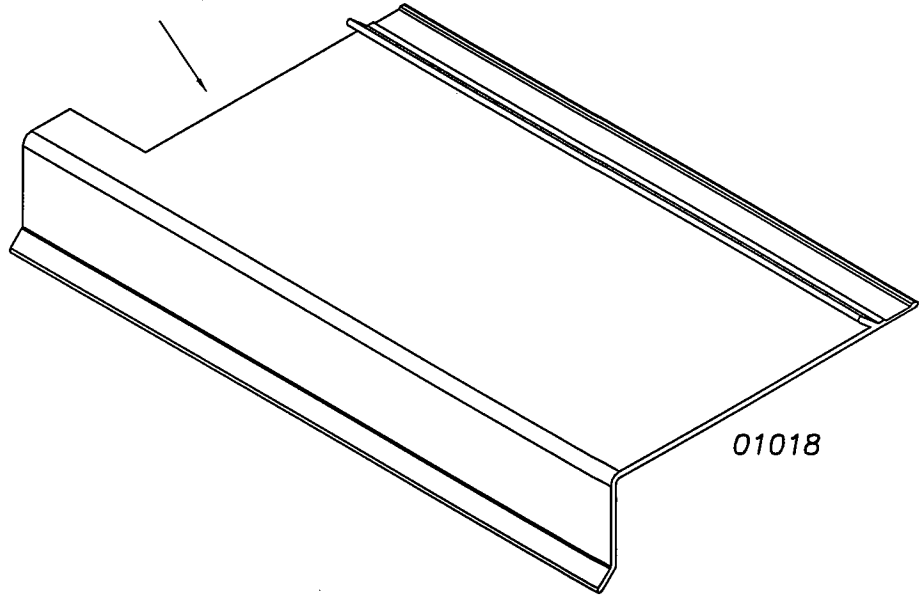


TITLE

DIRECT FIX INSTALLATION

SILL PAN MILLING DETAILS – 48mm SILL

12 X 19 SLOT  
FOR SH012

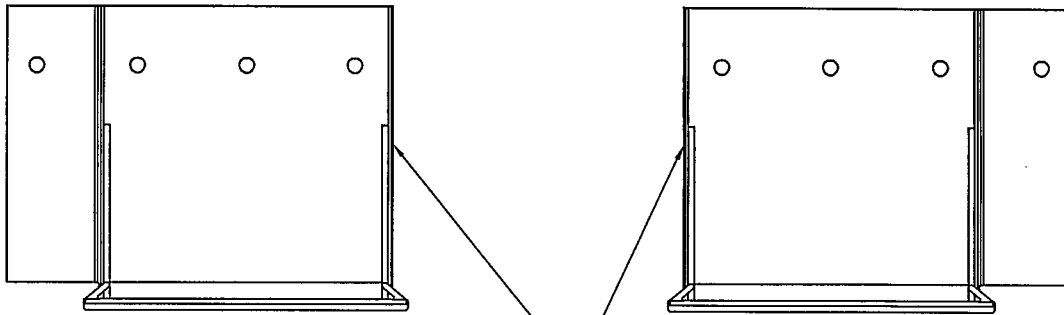


01018

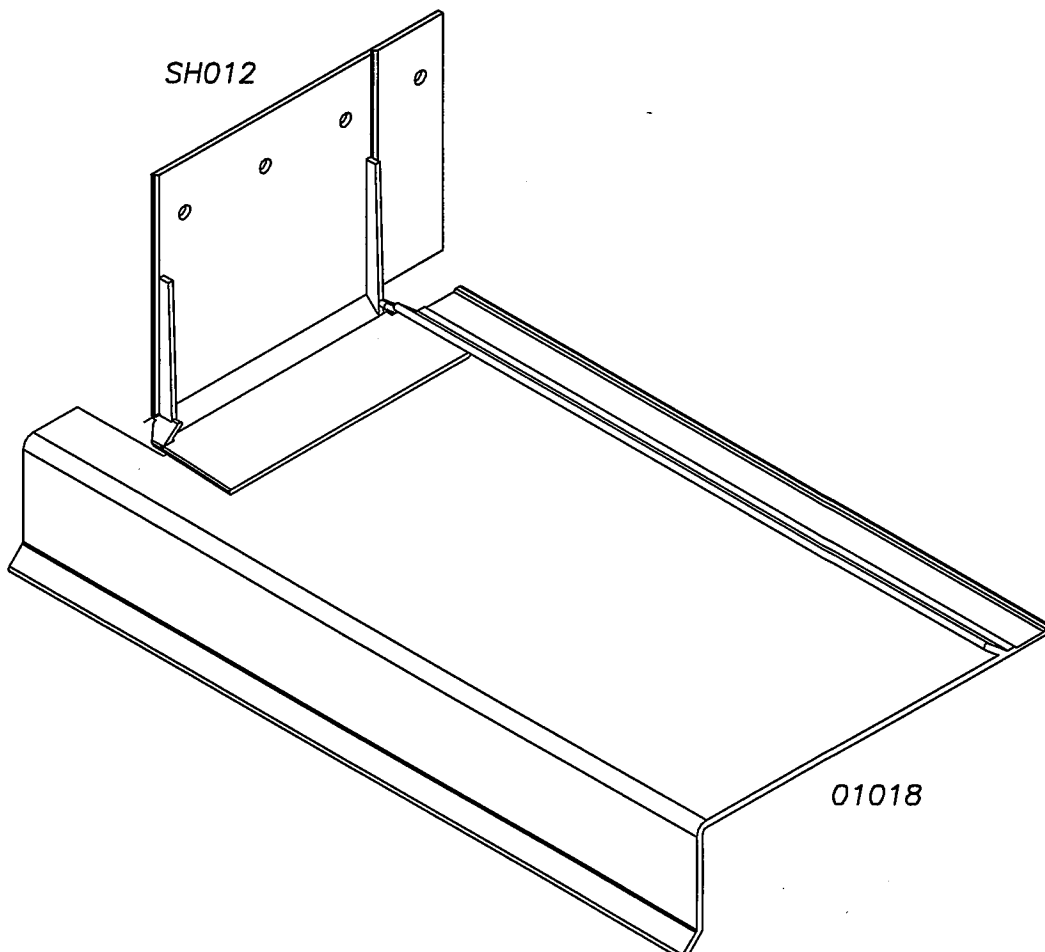
COPYRIGHT. THIS DRAWING IS THE PROPERTY OF ALUMINIUM SYSTEMS N.Z. LTD., AND MUST NOT BE USED, COPIED OR ITS CONTENTS DIVULGED WITHOUT THE WRITTEN CONSENT OF THE COMPANY.

DRAWN BY	DATE	REV. BY	REV. DATE	APP'D. BY	SCALE	REV.	CAD No.	SECTION No.
CAP	07-07-06				NTS		J08-01-02	

TITLE  
 DIRECT FIX INSTALLATION  
 SILL PAN END CAP DETAILS - 48mm SILL



ONE SIDE (LH OR RH)  
 SNAPPED OFF TO WORK  
 WITH 01018 SILL TRAY



COPYRIGHT. THIS DRAWING IS THE PROPERTY OF ALUMINIUM SYSTEMS N.Z. LTD., AND MUST NOT BE USED, COPIED OR ITS CONTENTS DIVULGED WITHOUT THE WRITTEN CONSENT OF THE COMPANY.

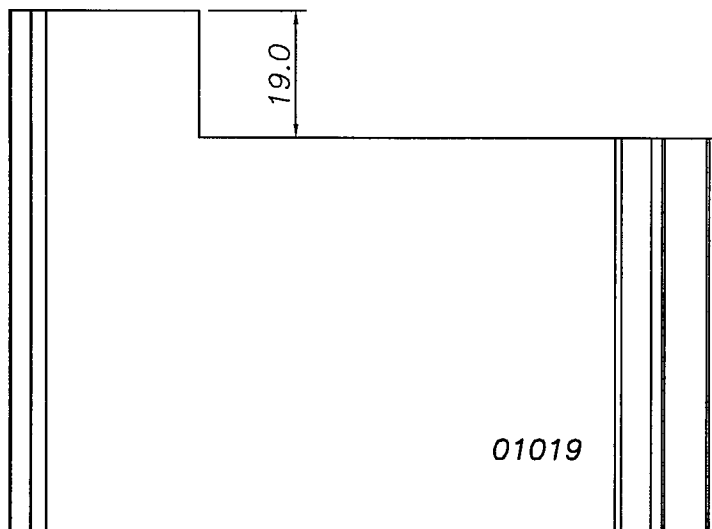
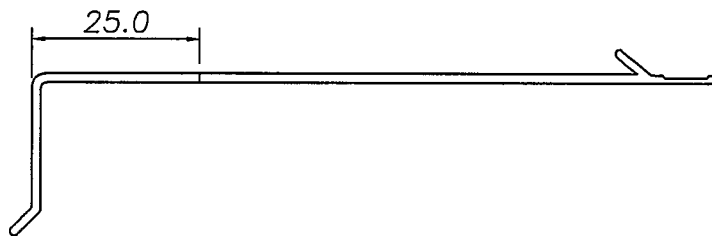
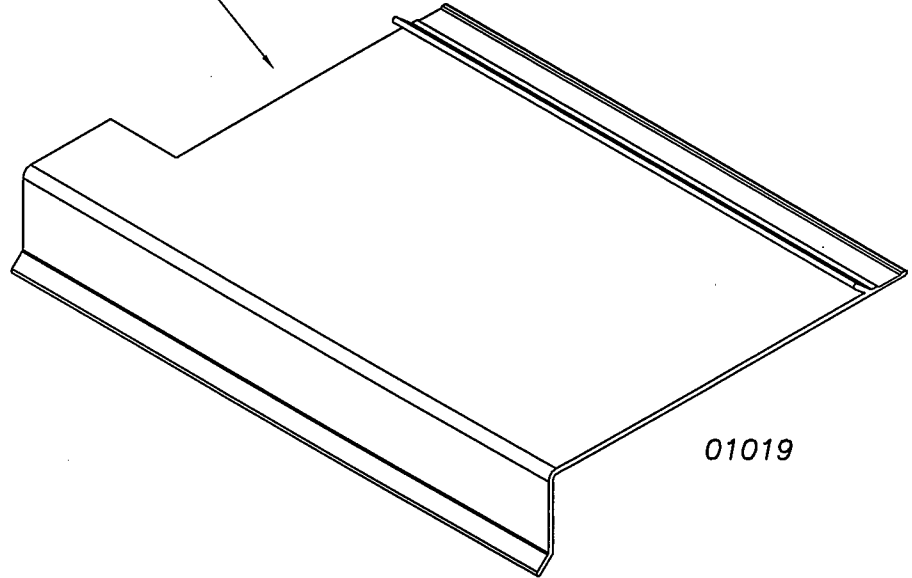
DRAWN BY	DATE	REV. BY	REV. DATE	APP'D. BY	SCALE	REV.	CAD No.	SECTION No.
CAP	07-07-06				NTS		J08-01-03	

TITLE

DIRECT FIX INSTALLATION

SILL PAN MILLING DETAILS - 79mm SILL

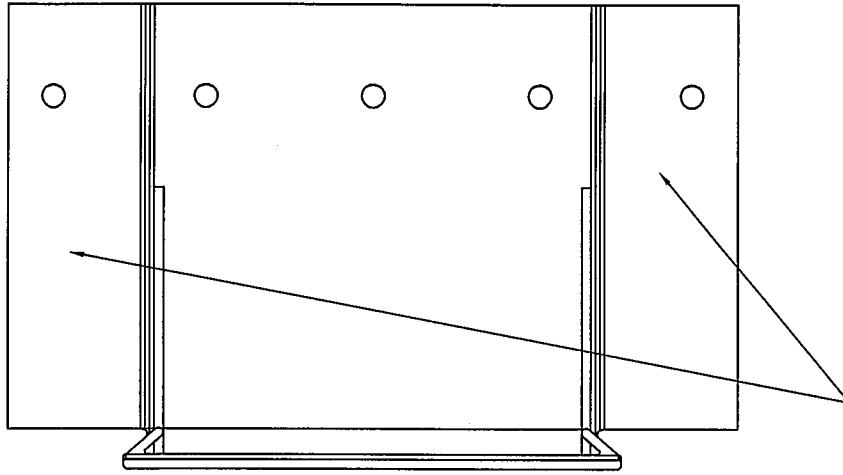
25 X 19 SLOT  
FOR SH012



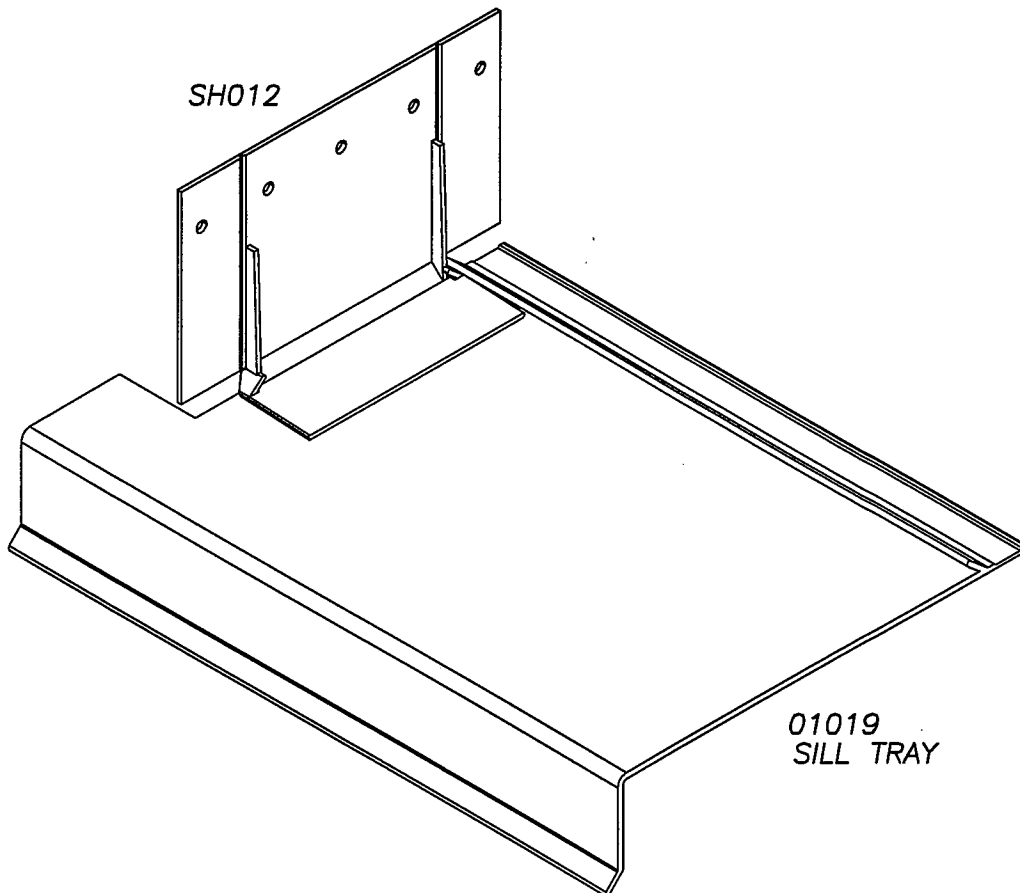
COPYRIGHT. THIS DRAWING IS THE PROPERTY OF ALUMINIUM SYSTEMS N.Z. LTD., AND MUST NOT BE USED, COPIED OR ITS CONTENTS DIVULGED WITHOUT THE WRITTEN CONSENT OF THE COMPANY.

DRAWN BY	DATE	REV. BY	REV. DATE	APP'D. BY	SCALE	REV.	CAD No.	SECTION No.
CAP	07-07-06				NTS		J08-01-04	

TITLE  
**DIRECT FIX INSTALLATION**  
**SILL PAN END CAP DETAILS – 79mm SILL**



**BOTH SIDES REMAIN  
 INTACT FOR THE  
 01019 SILL TRAY**



**01019  
 SILL TRAY**

COPYRIGHT. THIS DRAWING IS THE PROPERTY OF ALUMINIUM SYSTEMS N.Z. LTD., AND MUST NOT BE USED, COPIED OR ITS CONTENTS DIVULGED WITHOUT THE WRITTEN CONSENT OF THE COMPANY.

DRAWN BY	DATE	REV. BY	REV. DATE	APP'D. BY	SCALE	REV.	CAD No.	SECTION No.
CAP	07-07-06				NTS		J08-01-05	