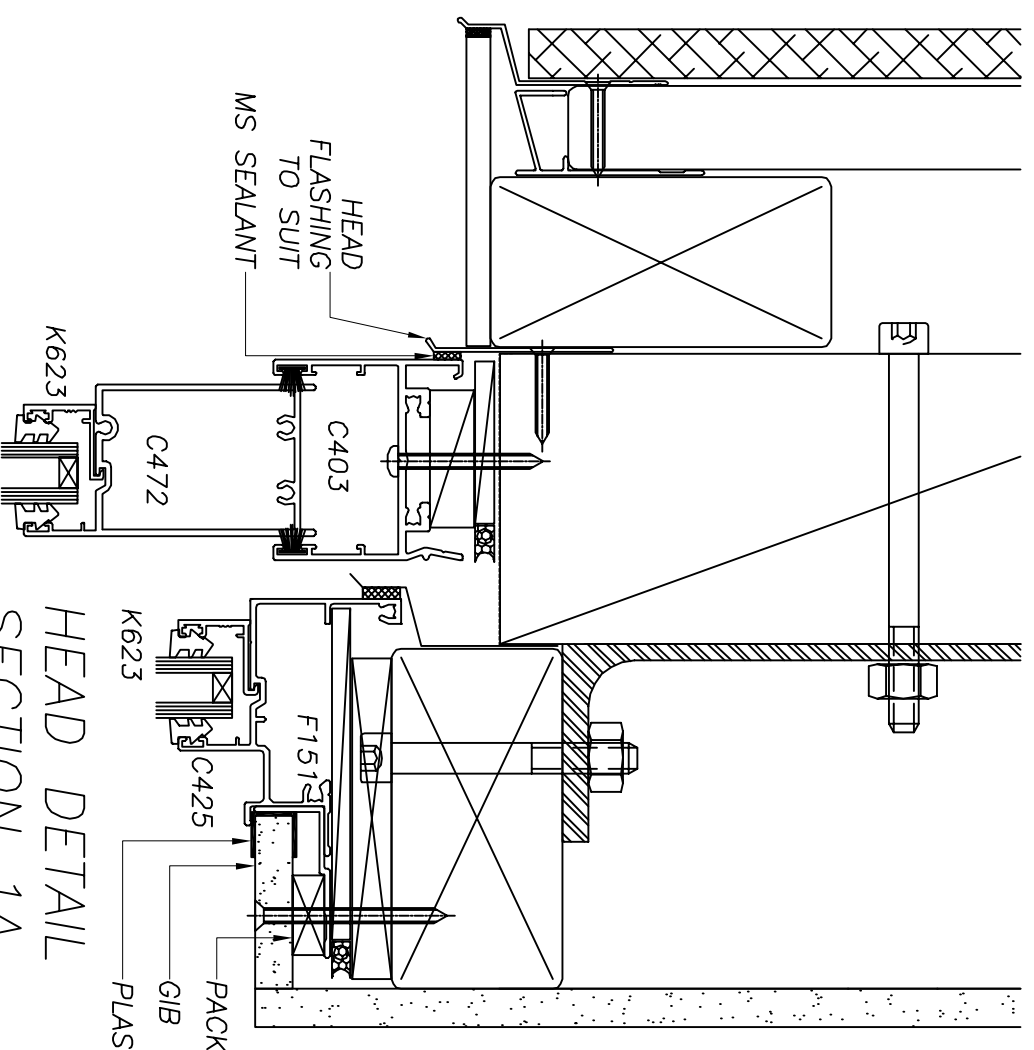
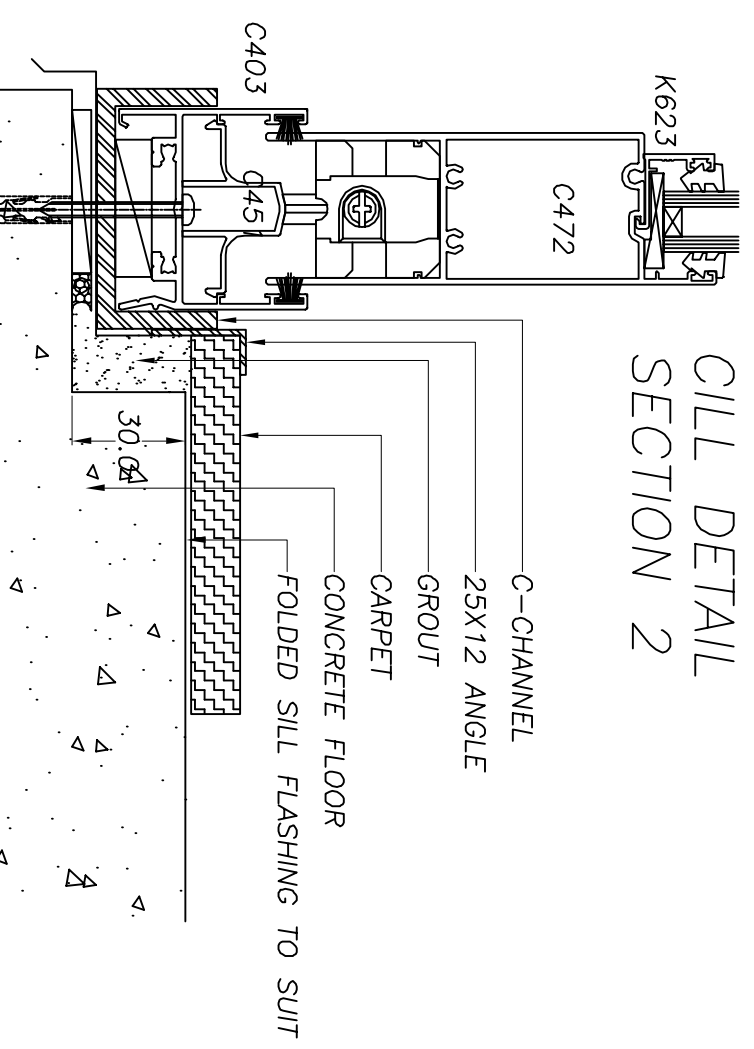


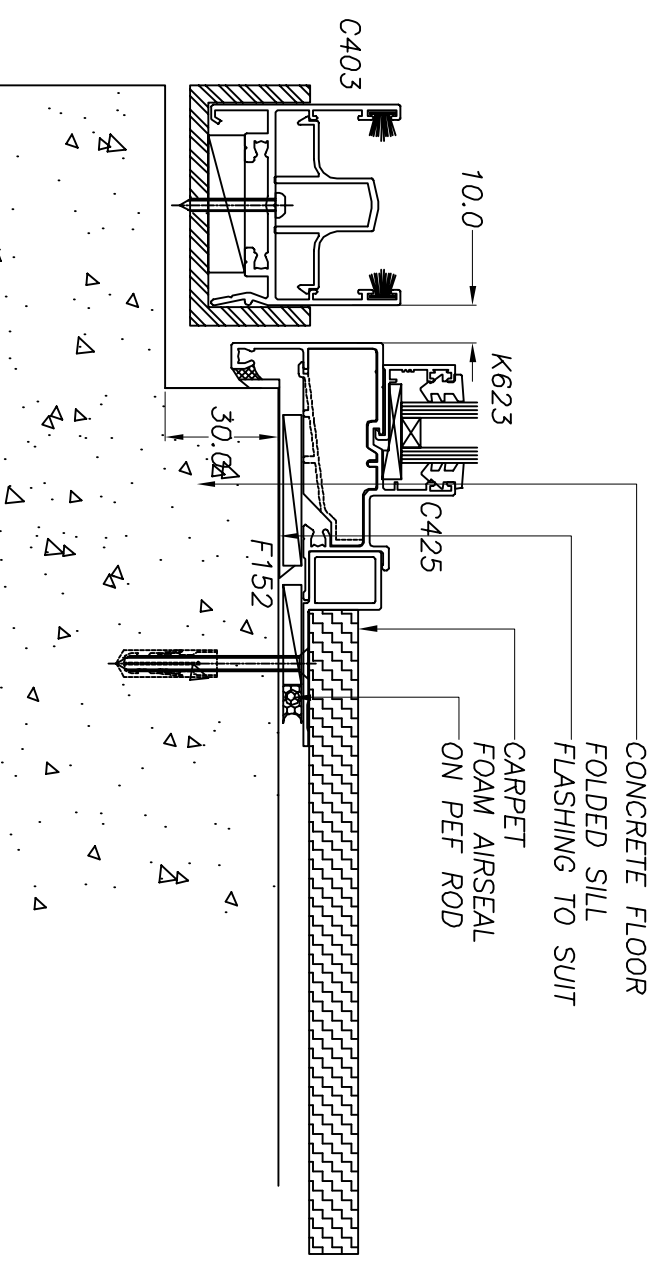
HEAD DETAIL
SECTION 1



HEAD DETAIL
SECTION 1A



CILL DETAIL
SECTION 2



CILL DETAIL
SECTION 2A

3 Timaru Place, Mt Wellington, Auckland,
New Zealand.
P.O. Box 81-078, Pakuranga, Auckland,
New Zealand.
Phone: 0064-9-574-2900
Fax: 0064-9-574-2901

| REV. | AMENDMENTS | DATE |
|------|------------|------|
| | | |
| | | |
| | | |
| | | |
| | | |
| | | |
| | | |
| | | |
| | | |
| | | |

EXTERIOR SINGLE TRACK SLIDER

Head, Sill
Jamb Installation
detail

DRAWN BY
JAG

CHECKED BY

DRAWING N°

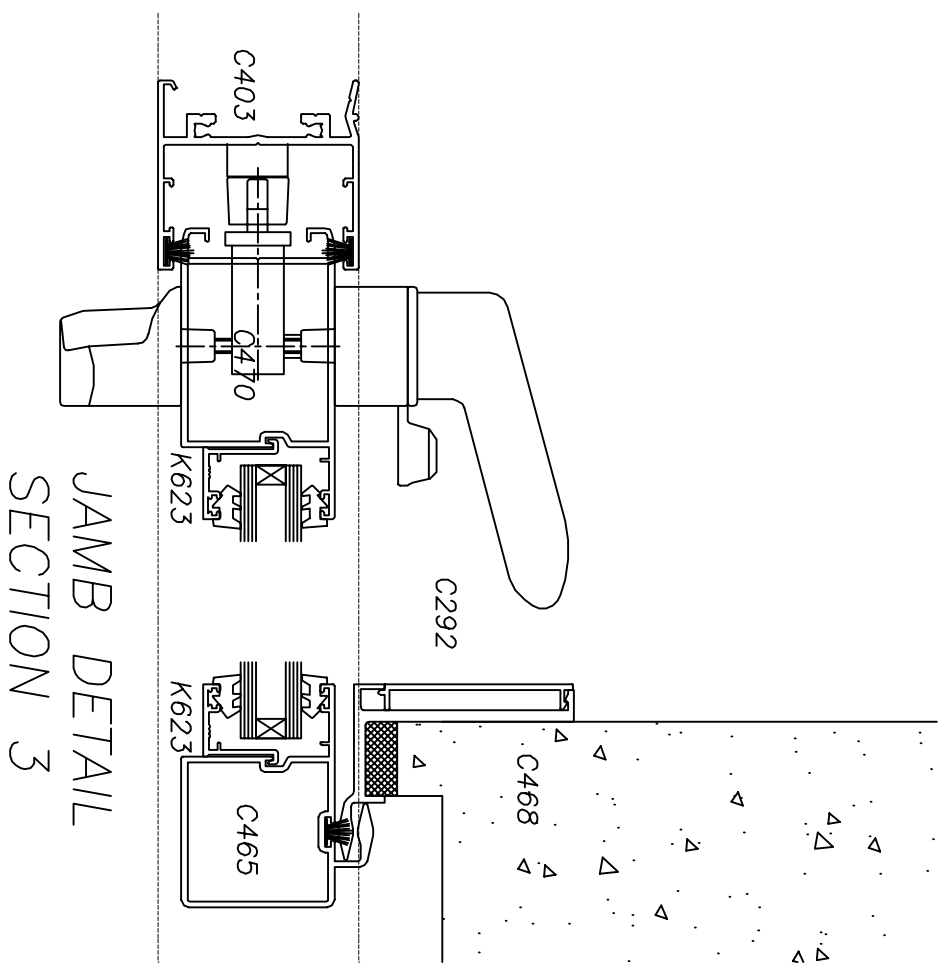
REVISION

SCALE
1: (A3)

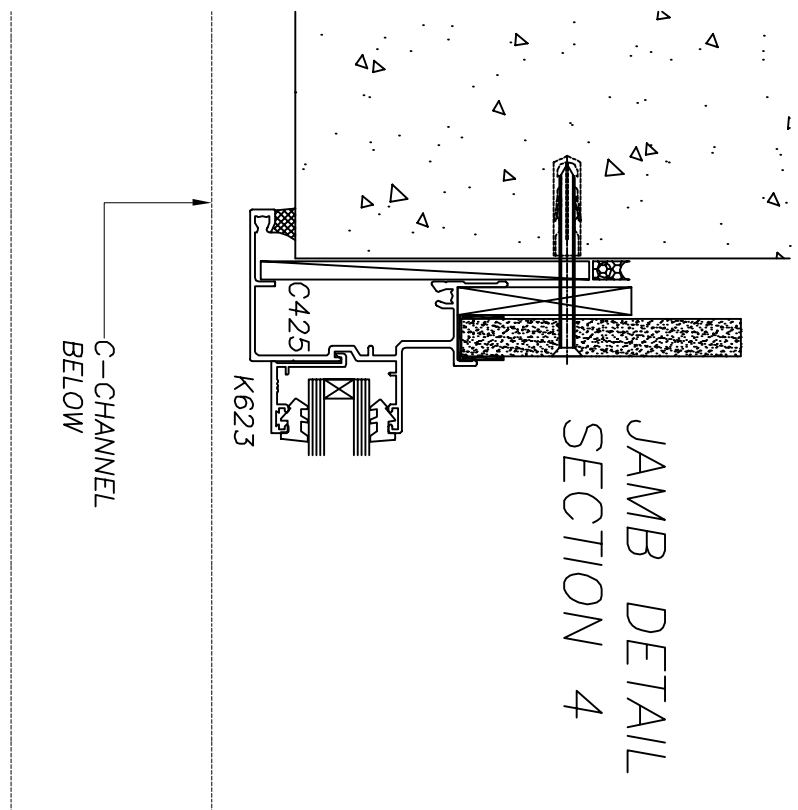
DATE
27-03-08

ALWAYS
P.O. BOX 804
RAKAUHUI RD
TAUPŌ 5851
Fax: 07 378 9834
Office: 07 378 9284

Factory



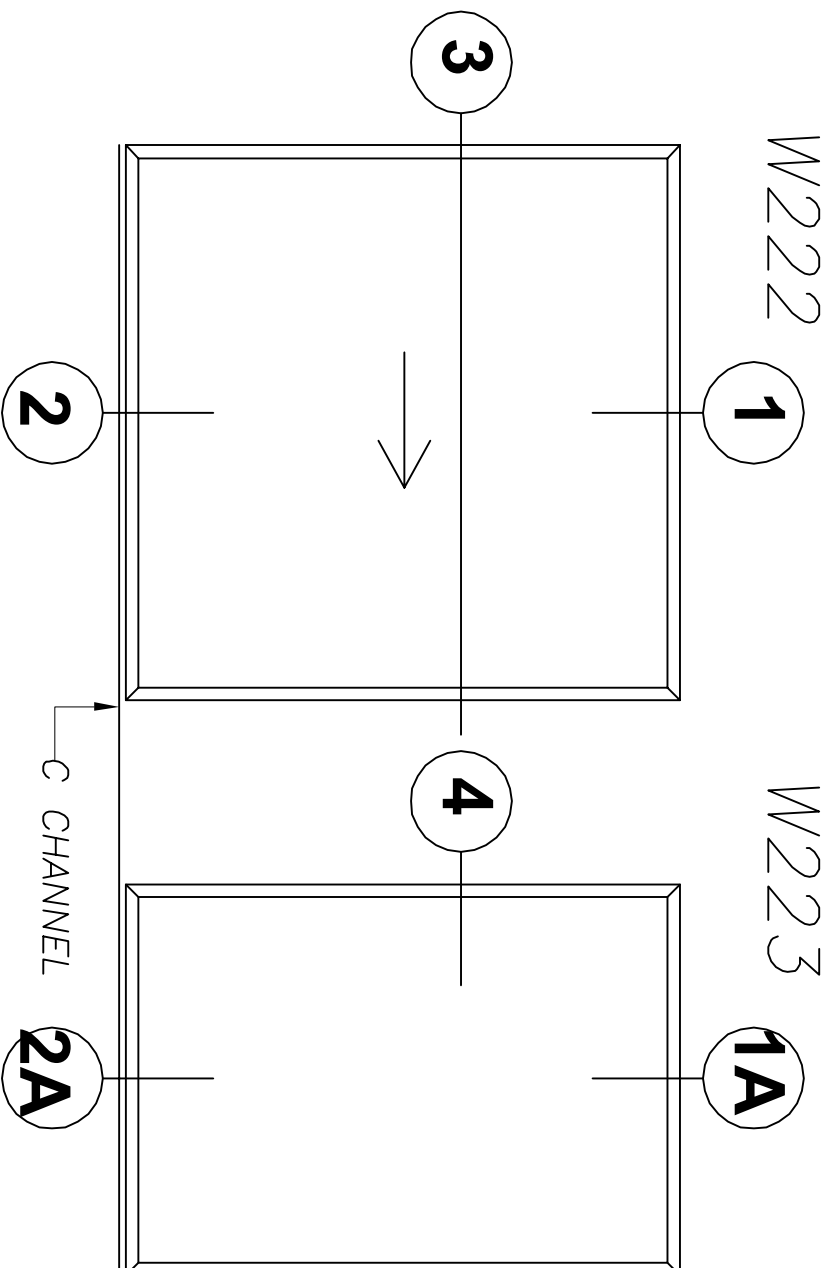
JAMB DETAIL
SECTION 3



JAMB DETAIL
SECTION 4

| | | | | | | | | | | | |
|--------------------------|---|--|------|------------|------|--|--|------------|------------|----------|---|
| <p>ALUMINIUM SYSTEMS</p> | <p>3 Titimu Place, Mt Wellington, Auckland, New Zealand. P.O. Box 81-078, Pakuranga, Auckland, New Zealand. Phone: 0064-9-574-2900 Fax: 0064-9-574-2901</p> | | REV. | AMENDMENTS | DATE | <p>EXTERIOR SINGLE TRACK SLIDER</p> | <p>Head, Sill Jamb Installation detail</p> | DRAWN BY | CHECKED BY | SCALE | <p>ALWAYS P.O. BOX 804 RAKAUHUI RD TAUPO 3851 Fax: 07 378 9834 Office: 07 378 9284</p> |
| | 4. | | | | | | | JAG | | 1: (A3) | |
| | | | 5. | | | | | DRAWING N° | REVISION | DATE | |
| | | | 6. | | | | | | | 27-03-08 | |
| | | | 7. | | | | | | | | |
| | | | 8. | | | | | | | | |
| | | | 9. | | | | | | | | |
| | | | 10. | | | | | | | | |
| | | | 11. | | | | | | | | |
| | | | 12. | | | | | | | | |
| | | | 13. | | | | | | | | |
| | | | 14. | | | | | | | | |
| | | | 15. | | | | | | | | |
| | | | 16. | | | | | | | | |





ALUMINIUM SYSTEMS

3 Timaru Place, Mt Wellington, Auckland,
New Zealand.
P.O. Box 81-078, Pakuranga, Auckland,
New Zealand.
Phone: 0064-9-574-2900
Fax: 0064-9-574-2901

| REV. | AMENDMENTS | DATE |
|------|------------|------|
| | | |
| | | |
| | | |
| | | |
| | | |
| | | |
| | | |
| | | |
| | | |

EXTERIOR SINGLE TRACK SLIDER

Head, Sill Jamb Installation detail

| | | |
|------------------------|-----------------|-------------------------|
| DRAWN BY JAG | CHECKED BY . | SCALE 1: (A3) |
| DRAWING N° | REVISION | DATE 27-03-08 |

ALWAYS
P.O. BOX 804
RAKAUHUI RD
TAUPO 3851
Fax : 07 378 9834
Office: 07 378 9284

Factory

ASSOCIATION OF NEW ZEALAND QUANTITY SURVEYERS
MEMBER